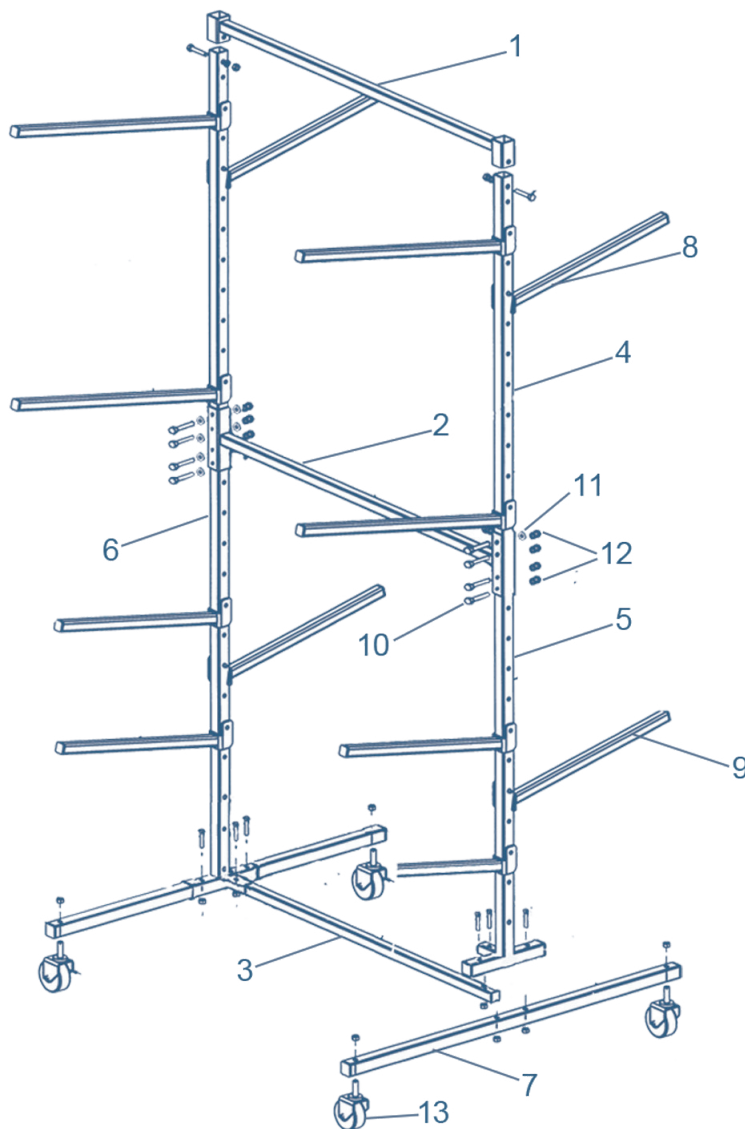


## GENERAL SAFETY INFORMATION

1. Not for use by unauthorised persons and minors.
2. Not to be used as a climbing frame or anchor point.
3. Tie back long hair and avoid wearing loose clothing when using this tool.
4. Use on a stable, level and dry surface.
5. Keep your work area clean and tidy at all times.



## BUMPER STAND

### EQU 50

| NO. | Description            | Q'ty |
|-----|------------------------|------|
| 1   | Top Connect Bar        | 1    |
| 2   | Middle Connect Bar     | 1    |
| 3   | Bottom Connect Bar     | 1    |
| 4   | Upper Vertical Bar     | 2    |
| 5   | Lower Vertical Bar (R) | 1    |
| 6   | Lower Vertical Bar (L) | 1    |
| 7   | Base Bar               | 2    |
| 8   | Long Support Bar       | 8    |
| 9   | Short Support Bar      | 8    |
| 10  | Bolt (M8x50)           | 18   |
| 11  | Washer (Ø8)            | 36   |
| 12  | Nut (Ø8)               | 18   |
| 13  | Casters Set            | 4    |

